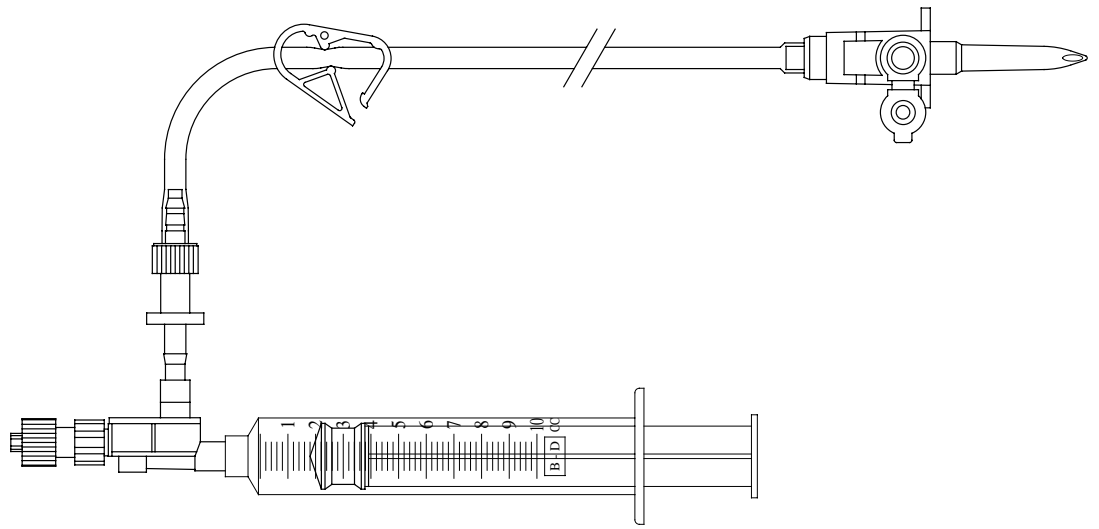


CONTINUOUS FLUSHING SET



DESCRIPTION

- A spiked tubing set that allows rapid flushing of fluid drawing directly from a bag or bottle.
- The bi-directional valve allows fluid to be drawn up into a syringe and injected directly into the flushing line.
- Spike converts from vented to non-vented by closing cap on vent.

ORDER No.

Remarks

V-FACT-14-100-VS-1-BDV 100 cm (40") long irrigation tubing set with a vented spike and bi-directional valve.